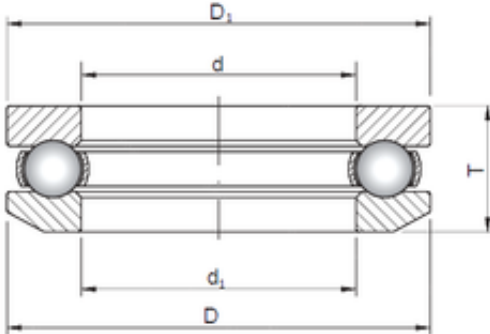




UN?BEARINGS(UK)LTD.

ISO 53408 thrust ball bearings



Bearing No. 53408

Bore Diameter	40 mm
Outer Diameter	90 mm
d	40 mm
d1	42 mm
D	90 mm
D1	90 mm
T	38,2 mm

53408 Bearing 2D drawings and 3D CAD models