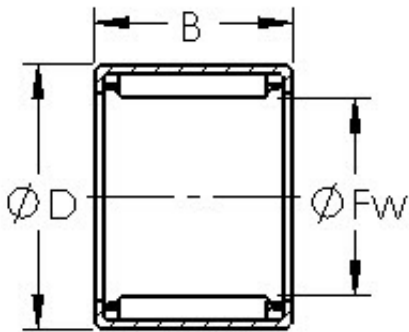




UN?BEARINGS(UK)LTD.



AST SCH1820 needle roller bearings

Bearing No. SCH1820

Bore Diameter	28,575 mm
Outer Diameter	38,1 mm
Width	31,75 mm
Bearing Type	Cage Retained Rollers
Outer Dia (D)	1.5000
Width (B)	1.2500
Dynamic Load Rating (Cr)	9,200
Static Load Rating (Cor)	14,600
Max Speed (Grease) (X1000 RPM)	9,800
Shaft (Fw)	1.125
Weight (g)	55.00
Material - Drawn cup: Hardened carbon steel alloy, Rollers	52100 Chrome steel or equivalent

SCH1820 Bearing 2D drawings and 3D CAD models