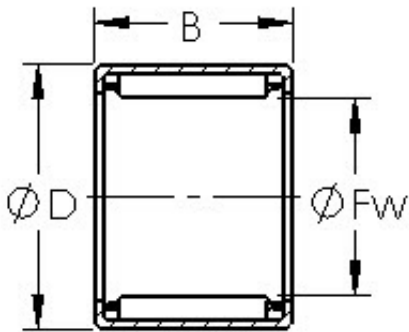




UN?BEARINGS(UK)LTD.



AST SCE2410 needle roller bearings

Bearing No. SCE2410

Bore Diameter	38,1 mm
Outer Diameter	47,625 mm
Width	15,875 mm
Bearing Type	Cage Retained Rollers
Outer Dia (D)	1.8750
Width (B)	0.6250
Dynamic Load Rating (Cr)	5,500
Static Load Rating (Cor)	8,300
Max Speed (Grease) (X1000 RPM)	7,400
Shaft (Fw)	1.500
Weight (g)	54.00
Material - Drawn cup: Hardened carbon steel alloy, Rollers	52100 Chrome steel or equivalent

SCE2410 Bearing 2D drawings and 3D CAD models